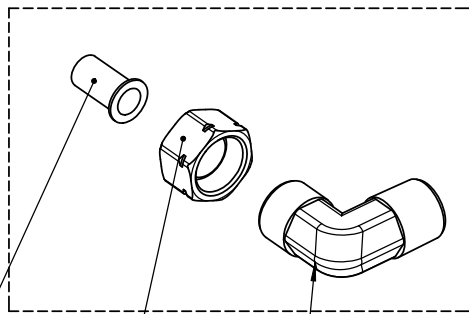




Delivered in plastic bag  
 Livré en sachet en plastique



ITEM	PART NO.	DESCRIPTION	24173-3	24173-4	24173-5
1	15413	MALE ELBOW -1/2 T X 3/8 P	1	1	1
2	23304	GASKET INJECTOR BODY	1	1	1
3	23477	SCREW M5x70 (16)	2	2	2
4	BR11893	INJECTOR COVER	1	1	1
5	BR15414	NUT,2900,W/SLEEVE	1	1	1
6	BR17777-03	BODY,INJECTOR,1700	1	1	1
7	BU10229	GASKET INJECTOR BODY	1	1	1
8	15415	FITTING, INSERT, 1/2", TUBE	1	1	1
9	14801-03C	NOZZLE,INJECTOR,3C,YELLOW	1	-	-
	14801-04C	NOZZLE,INJECTOR,4C,GREEN	-	1	-
	14801-05C	NOZZLE,INJECTOR,5C,WHITE	-	-	1
10	14802-03C	THROAT,INJECTOR,#3C,YELLOW	1	-	-
	14802-04C	THROAT,INJECTOR,#4C,GREEN	-	1	-
	14802-05C	THROAT,INJECTOR,#5C,WHITE	-	-	1